

The Air Dryer is a desiccant type, inline filtration system that removes contaminants and provides dry air for the air brake system. It incorporates an automatic drain valve which is controlled by the governor. It can be used on highway vehicles with a 24cfm (or less) compressor where normal loaded time is not more than 30 seconds, and unloaded is greater than 30 seconds. If these loaded times are exceeded, additional purge volume may be required.

For service / maintenance information, see Service Data Sheet SD-08-2403.

WEIGHT - 26lbs
VMRS. NO. - 13-010-033
DEVICE CODE IS 2405

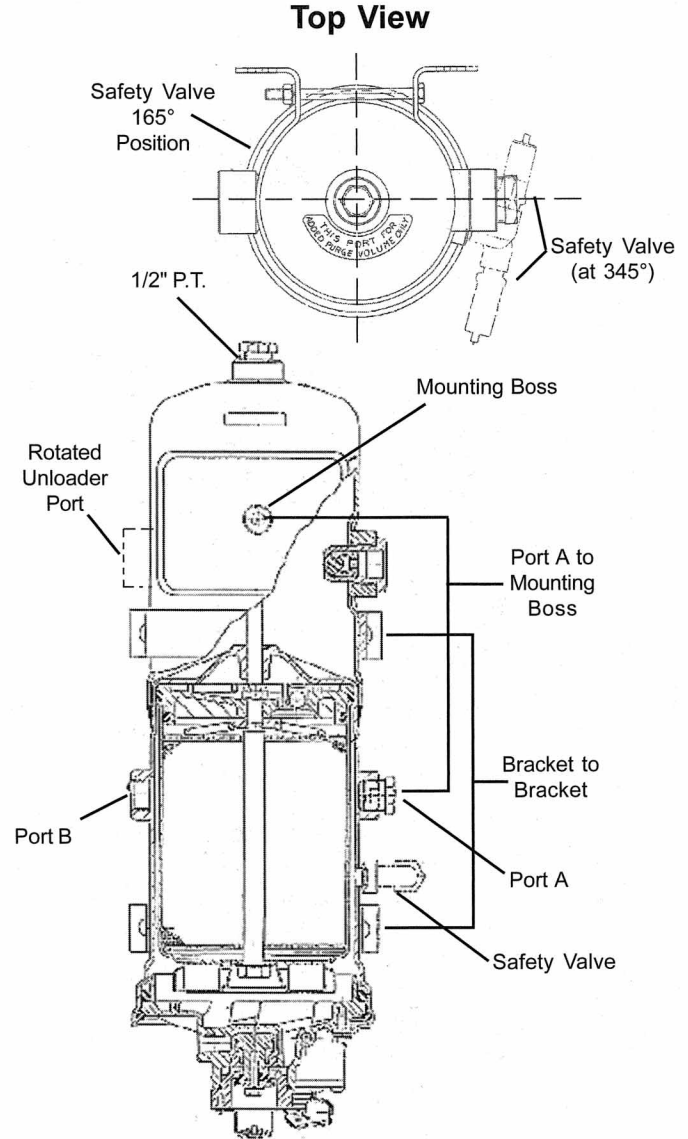
SERVICE / MAINTENANCE INFORMATION MAINTENANCE KITS:

PC. No.	Description
102657	Thermostat Maintenance Kit
286718	Desiccant Cartridge Refill Kit
287053	Purge Valve Maintenance Kit
287298	Check Valve Maintenance Kit
287313	Complete Desiccant Cartridge Refill Kit Plus Items 11, 22, 24, 25 & 52 (Back of Sheet)
288918	End Cover Maintenance Kit

***PC. No. 101900 is the Remanufacture Exchange for Desiccant Cartridge Kit**

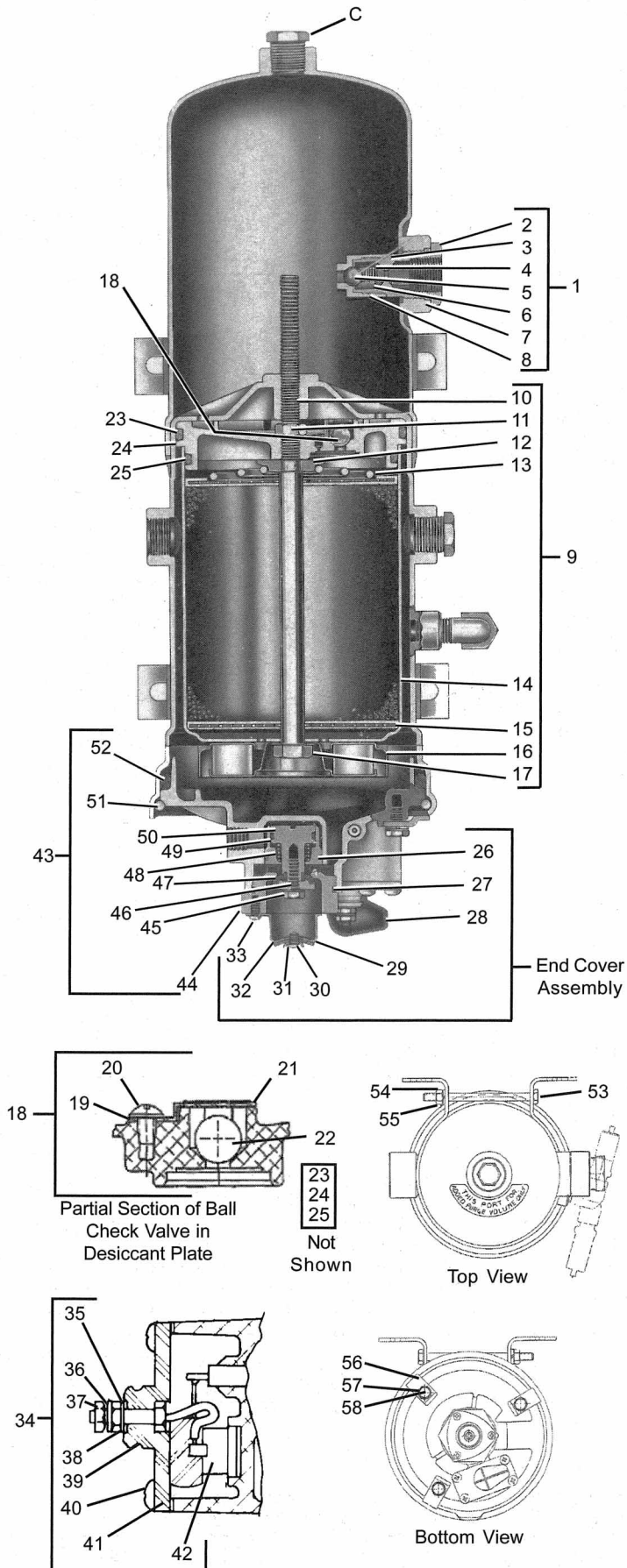
AD-2 Cartridge, 287313, supersedes AD-1 Cartridge, 284658, and is interchangeable.

NOTE: AD-1 and AD-2 end covers are interchangeable. The AD-2 cover should be used to replace AD-1 end cover when complete end cover replacement is necessary. Heater voltage, 12 or 24, must be specified.



Sub Assembly and Detail Reference Chart

PC. No.	Heater Watts x Volts	Port Sizes A & B (P.T.)	Bracket to Bracket	Port A to Mounting Boss	End Cover	Safety Valve Angle	Plugged Port	Unloader Port
286932	120w x 24v	1/2	7.88	N/A	103253	345°	A	0°
289008	120w x 24v	1/2	7.88	N/A	N/A	345°	B	0°
101160	120w x 24v	1/2	7.88	N/A	N/A	165°	B	180°
102351	120w x 24v	1/2	7.88	6.84	N/A	345°	A	0°
102595	120w x 24v	1/2	11.38	5.71	N/A	345°	B	0°
103252	120w x 24v	1/2	7.88	N/A	103253	165°	B	0°
286961	120w x 24v	1	7.88	N/A	103253	345°	A	0°
103849	120w x 24v	1	7.88	N/A	103253	345°	A	0°
286930	60w x 12v	1/2	7.88	N/A	286875	345°	A	0°
286939	60w x 12v	1/2	7.88	N/A	286875	345°	none	0°
103228	60w x 12v	1/2	7.88	N/A	286875	345°	B	0°
286962	60w x 12v	1	11.50	N/A	286875	345°	A	180°
286936	60w x 24v	1/2	7.88	N/A	286876	345°	A	0°
286937	60w x 24v	1/2	7.88	N/A	286876	165°	B	180°
288719	60w x 24v	1	7.88	N/A	286876	345°	B	0°



Common Service Parts

No.	Pc. No.	Quan.	Description
1	286868	1	Check Valve Assy.
2	-	1	Body
3	C	1	Sealing Washer
4	C	1	Spring
5	C	1	Ball Valve
6	-	1	Spring Guide
7	C	1	O-Ring
8	-	1	End Cap
9	286967	1	Desiccant Cartridge Assy.
10	-	1	Cartridge Bolt
11	AD	1	Lock Nut
12	-	1	Spring Seat
13	-	1	Conical Spring
14	-	1	Cartridge Shell
15	-	2	Perforated Plate Complete
16	A	1	Oil Separator Filter
17	-	1	Washer
18	283677	1	Desiccant Plate Complete
19	-	1	Lock Washer
20	-	1	Screw
21	-	1	Valve Cover
22	AD	1	Ball Valve
23	-	1	Desiccant Sealing Plate
24	AD	1	O-Ring
25	AD	1	O-Ring
-	103253	1	End Cover Assembly
26	B	1	O-Ring
27	B	1	O-Ring
28	B	1	Boot
29	-	1	Exhaust Cover
30	-	1	Diaphragm Washer
31	-	1	Screw
32	B	1	Diaphragm
33	-	3	Screw
34	286907	1	End Cover Thermostat Assy.
35	EF	1	O-Ring
36	F	1	Lock Washer
37	-	2	Nut
38	-	1	Washer
39	E	1	Thermostat Cover
40	-	4	Screw
41	EF	1	Gasket
42	F	1	Thermostat
43	286873	1	Purge Valve Assembly
44	-	1	Purge Valve Housing
45	-	1	Screw
46	-	1	Lock Washer
47	B	1	Purge Valve Complete
48	B	1	Spring
49	B	1	O-Ring
50	-	1	Purge Valve Pisto
51	-	1	Retainer Ring
52	AD	1	O-Ring
53	-	2	Cap Screw
54	-	2	Nut
55	-	2	Lock Washer
56	-	3	Retaining Cap
57	-	3	Lock Washer
58	-	3	Cap Screw

- A** Furnished In Maintenance Kit 286718
- B** Furnished In Maintenance Kit 287053
- C** Furnished In Maintenance Kit 287298
- D** Furnished In Maintenance Kit 287313
- E** Furnished In Maintenance Kit 288918
- F** Furnished In Maintenance Kit 102657