

Part Number Update



Bulletin No: PNU-127-000

Effective Date: January 26, 2009 Cancells: N/A

Page: 1 of 1

Subject: Bendix® Convac Vacuum Pump Service Parts

The Bendix® Convac Vacuum Pump is a vacuum source for the operation of vacuum-powered devices, e.g. vacuum powered brakes. See below for Original Equipment (OE) part numbers and the available service replacement number.

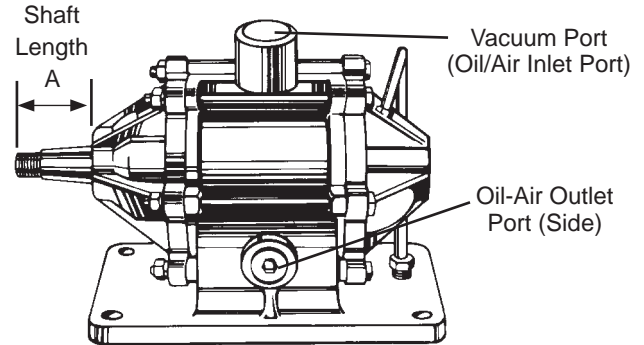
Note: Many OE part numbers are no longer available as direct service replacements. We show here a full listing of the available vacuum pumps, but in some instances modifications (e.g. extra fittings, etc.) may also be required.

Weight - 15 lbs.

VMRS No. 13-008-032

Device Code - 6610

All available units are clockwise rotation.



Lubricated	OE Number	Identification Code	Bendix Service Number	Vacuum Port (Oil Inlet Port)	"A" Shaft Length	Oil-Air Outlet	Outlet Situated
Separator*	372820	WW	2500948	.250"	2.28"	Non Threaded	Side
Separator *	373089	VV	2501028	.250"	1.66"	Non Threaded	Side
Separator *	2500948	4W	2500948	.250"	2.24"	.375" plugged	Side
Separator *	2501028	3V	2503780	.250"	1.61"	.375" plugged	Side
Separator *	2513127	3127	2500948	.250"	2.24"	.375" plugged	Side
Separator *	2513173	3173	2503780	.250"	1.61"	.375" plugged	Side
End Cover Engine	2503780	3AK	2503780	.250"	1.61"	.375"	Side
End Cover Engine	2504057	3AL	2500948	.250"	2.24"	.375"	Side
End Cover Engine	2504145	4GA	2500948	.125"	2.24"	.375"	Side
End Cover Engine	2513131	3131	2503780	.250"	1.61"	.375"	Side
End Cover Engine	2513132	3132	2500948	.125"	2.24"	.375"	Side
End Cover Engine	2513177	3177	2500948	.250"	2.24"	.375"	Side
End Cover Engine	375246	AB	2501018	.250"	1.65"	Non Threaded	Base
End Cover Engine	2501018	2AB	2501018	.250"	1.61"	Non Threaded	Base
End Cover Engine	2501454**	4GA	2501454	.250"	2.24"	Non Threaded	Base
End Cover Engine	2504179	4GB	2501454	.250"	2.24"	.375"	Base
End Cover Engine	2513128	3128	2501018	.250"	1.61"	.375"	Base
End Cover Engine	2513129	3129	2501454	.250"	2.24"	Non Threaded	Base
End Cover Engine	2513133	3133	2501454	.250"	2.24"	.375"	Base
End Cover Engine	2513134	3134	2501454	.250"	2.24"	Non Threaded	Base
Base	372819	GG	2501020	Non Threaded	2.28"	.375" plugged	Base
Base	373156	AA	2500948	Non Threaded	3.16"	.375" plugged	Base
Base	2501018	2AB	2501018	Non Threaded	1.61"	Non Threaded	Base
Base	2501020	3G	2501020	Non Threaded	2.24"	.375" plugged	Base
Base	2503199	3G	2501020	Non Threaded	2.24"	.375" plugged	Base
Base	2513117	3117	2501020	Non Threaded	2.24"	.375" plugged	Base

* Used in conjunction with an oil/air separator and must not be interchanged with Convac vacuum pumps that are lubricated by engine oil pressure.

** Requires the re-use of OE wide flange base plate.