



wheel end

## ASA-5<sup>®</sup> Automatic Slack Adjuster

Reliable, consistent brake adjustment.  
Easy to install. Easy to maintain.

### Easier To Use Design, Uncompromised Performance

A durable, reliable slack adjuster is a critical component in optimizing the overall braking performance of a vehicle. A properly functioning and well-maintained slack adjuster not only helps to minimize out of adjustment brake conditions during roadside inspections, it also adds life to your brake drums and linings and helps prevent uneven brake wear. The Bendix<sup>®</sup> ASA-5<sup>®</sup> slack adjuster from Bendix Spicer Foundation Brake LLC, is an easier-to-install and easier-to-maintain technology that doesn't compromise on performance.

With no need for brake chamber size specific versions or a control arm and associated mounting hardware, the Bendix ASA-5<sup>®</sup> slack design allows fleets to stock fewer part numbers for the greatest number of applications. Performance is maximized with a clearance-sensing design that adjusts on brake application, making it less prone to overadjustment and less sensitive to varying temperatures and duty cycles than stroke-sensing designs.

### Easy To Install And Maintain

The Bendix<sup>®</sup> ASA-5<sup>®</sup> slack adjuster features quick & easy installation because it doesn't require special brackets, attachments or tools. The ASA-5<sup>®</sup> slack's unhandeled design allows for a quick change from right- or left-handed applications. There's no special external bracket or mounting hardware required. The yoke is offered in both "easy-on" and "quick-connect" styles for trouble-free installation and removal.

### Limited Warranty

We're confident that the Bendix<sup>®</sup> ASA-5<sup>®</sup> slack adjuster will perform to the highest standards. Each ASA-5<sup>®</sup> slack adjuster is covered by a powerful Bendix warranty that offers peace of mind and helps to assure high-quality performance and endurance.

- **Line haul applications:**  
5 years, 500,000 mile limited warranty
- **School bus/ charter & interstate bus /city delivery vehicles:**  
3 years, 300,000 mile limited warranty
- **Transit bus / Severe service (refuse and off-highway):**  
2 years, 200,000 mile limited warranty

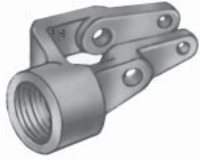


Bendix<sup>®</sup> brand foundation brake products are brought to you by:

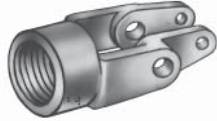
**Bendix Spicer  
Foundation Brake LLC**

# ASA-5® Automatic Slack Adjuster

## SERVICE PART NUMBERS

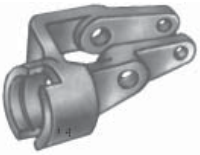


**EASY-ON  
OFFSET  
YOKE  
KIT 107160**

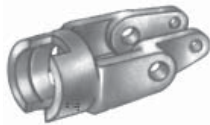


**EASY-ON  
STRAIGHT  
YOKE  
KIT 107158**

Easy-on yoke kits to be used with threaded adapters 291452, 292756, 297700, & 297701 only.



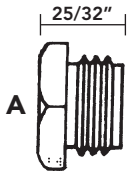
**QUICK CONNECT  
OFFSET YOKE  
KIT 107159**



**QUICK CONNECT  
STRAIGHT YOKE  
KIT 107157**

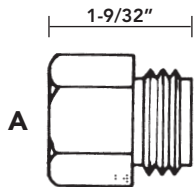
Quick Connect yoke kits to be used with adapter kits 107161 or 107162 only.

**Standard Adapter**



Yoke Adapter Part No.	A Push Rod Thread Size
291452	5/8"-18 UNF
292756	1/2"-20 UNF

**Extended Adapter**



Yoke Adapter Part No.	A Push Rod Thread Size
297700	5/8"-18 UNF
297701	1/2"-20 UNF

ASA-5® SERVICE ASSEMBLY NO.	ARM LENGTH	ADAPTER THREAD SIZE	YOKE OFFSET	SERVICE PARTS/KITS	
				ADAPTER	YOKE

1 1/4"-10C SPLINE					
065162	5"	1/2-20	5/8"	292756	107160
065163	5 1/2"	5/8-18	5/8"	291452	107160
065164	5 1/2"	1/2-20	Straight	292756	107158
065244	5 1/2"	1/2-20	5/8"	292756	107160
801351	5 1/2"	5/8-18	Straight	291452	107158
801359	5"	5/8-18	5/8"	291452	107160

1 1/4"-24 SPLINE					
065166	5"	1/2-20	5/8"	292756	107160
065167	5 1/2"	5/8-18	Straight	291452	107158
065274	5 1/2"	1/2-20	Straight	292756	107158
801357	5"	5/8-18	5/8"	291452	107160

1 1/2"-10C SPLINE					
065168	5"	1/2-20	Straight	292756	107158
065169	5 1/2"	1/2-20	5/8"	292756	107160
065170	5 1/2"	5/8-18	Straight	291452	107158
065172	6"	5/8-18	Straight	291452	107158
801352	5"	5/8-18	Straight	291452	107158
801353	5 1/2"	1/2-20	Straight	292756	107158
801358	5 1/2"	5/8-18	5/8"	291452	107160

1 1/2"-28 SPLINE					
065173	5"	1/2-20	Straight	292756	107158
065174	5 1/2"	5/8-18	Straight	291452	107158
065176	6"	5/8-18	Straight	291452	107158
801354	5"	5/8-18	Straight	291452	107158
801355	5 1/2"	1/2-20	Straight	292756	107158

1 5/8"-37 SPLINE					
065177	6"	5/8-18	Straight	291452	107158
065178	5 1/2"	5/8-18	Straight	291452	107158
065182*	5 1/2"	5/8-18	Straight	291452	107158

The easy-on yoke assemblies are standard on the ASA-5® service basic slack adjusters, however early production assemblies may contain the quick connect yoke. If the quick connect yoke is required it must be purchased separately and installed by the customer. All ASA-5® slack adjusters are supplied with a 45° lube fitting unless otherwise noted.

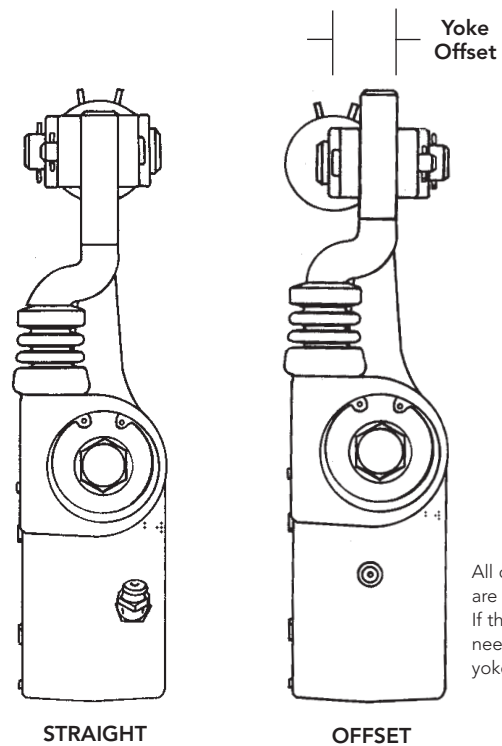
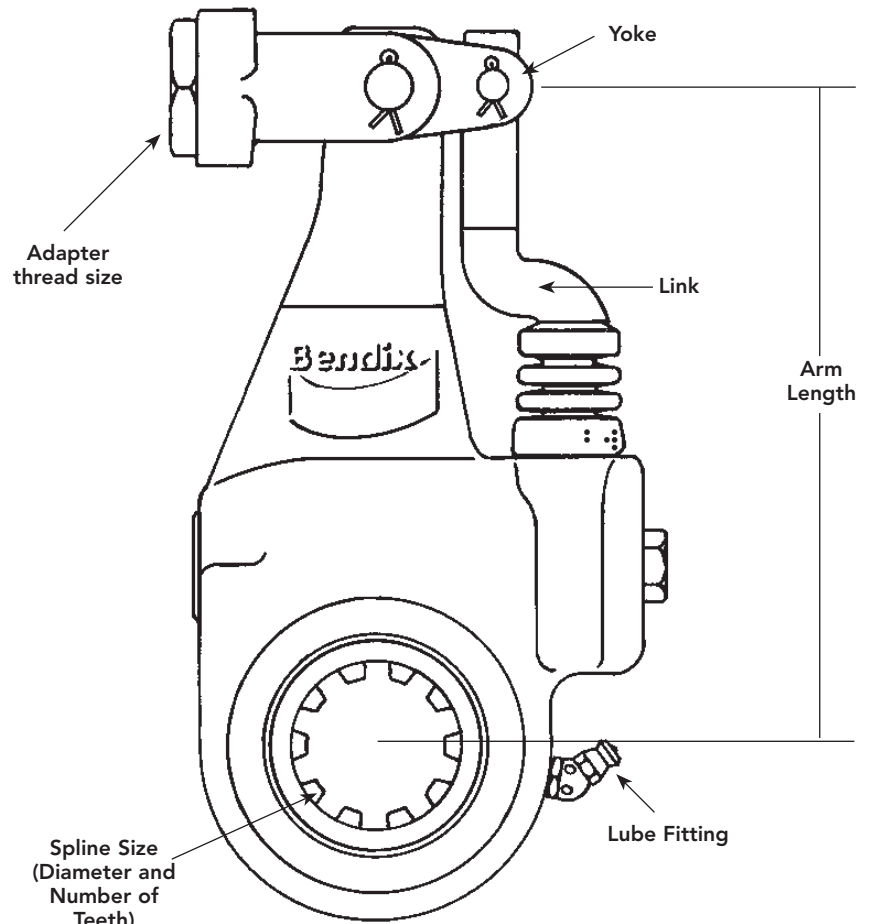
## Application

The ASA-5<sup>®</sup> slack adjuster is designed for use on Cam-actuated drum brakes. It multiplies and transforms the linear force of the air actuator into rotational force or torque. It is this force that applies the foundation brake. With its clearance-sensing design, the ASA-5<sup>®</sup> slack automatically adjusts the clearance between the brake lining and drum, compensating for wear. Ask for a copy of our Application Guidelines for important information concerning proper application and spring brake compatibility.

## Offerings

The Bendix<sup>®</sup> ASA-5<sup>®</sup> slack adjuster is available in a variety of configurations to meet the needs of original equipment and aftermarket trucks, tractors and trailers. It's manufactured in lengths of 5, 5½ and 6 inches. Worm gear splines are available to accommodate 1¼"– 10C, 1¼"– 24, 1½"– 10C, 1½"– 28, and 1⅝"– 37 splines. Yoke configurations cover ⅝" offset and straight applications and both ⅝"– 18 and ½"– 20 threaded push rods.

## Bendix<sup>®</sup> ASA-5<sup>®</sup> Slack Adjuster Position and Dimensions Locator



The most commonly used adapter is supplied with the slack adjuster, alternate adapters may be purchased separately.

All offset slack adjusters are provided as shown. If the opposite offset is needed remove the yoke and rotate 180°.

# ASA-5<sup>®</sup> Automatic Slack Adjuster

REFER TO THESE PART NUMBERS WHEN SERVICING YOUR VEHICLE

FEATURES	BENEFITS
Clearance-sensing design adjusts on brake application	Less prone to over adjustment. Less sensitive to varying temperatures and duty cycles.
Infinite adjustment rate	Provides smoother, more consistent and precise adjustment vs. the stroke-sensing design.
Bronze bushings and specialized lubricant	Reduces friction and increases service life.
BUNA-n sealing boot	Provides optimum protection against outside contaminants in the harshest environments.
Easy manual adjustment	Can be easily adjusted at brake reline using a standard 9/16-inch hex wrench. No special procedures required.
Self-contained package	No unreliable anchor bracketing required.
Unhanded design	Minimized complexity and inventory saves you money. No need for special right- and left-handed versions for offset installations.

Get your copy of the Bendix<sup>®</sup> ASA-5<sup>®</sup> Changeover Guide for vehicles equipped with automatic slack adjusters. It's an easy-to-use cross-reference guide from other manufacturers to the Bendix<sup>®</sup> ASA-5<sup>®</sup> slack adjuster. Ask your Bendix representative for BW2376 today.

Bendix <sup>®</sup> ASA-5 <sup>®</sup> Automatic Slack Adjuster Service Part Number/Equivalent	Bendix <sup>®</sup> ASA-5 <sup>®</sup> Automatic Slack Adjuster OE Part Number
065162	106904 106907 107121 107125 107266
065163	106197 106198 107113 107116 107267
065164	106206 107107 107477 107998 108644
065166	106905 106908 107122 107126 107269
065167	107246 107247 107256 107270 107420 107992 108646
065168	106901 107111 107271
065169	106321 106322 107115 107118 107272
065170	106195 107103 107176 107262 107273 107297 107995 108647 131026 5011233
065172	106194 107100 107274 107400 107401 107944 107993 108092 108431 108617
065173	106902 107112 107275
065174	106204 107105 107143 107179 107276 107402 107403 107421 107536 107739 107788 107991 107996 108068 108118 108371 108645 109518
065176	106201 106926 107101 107127 107277 107278 107736 107772 107787 107994 108091 108093 108117 108430 109519
065177	106202 107102 107265 107279 107281
065178	107254 107280
065182	107407 107408 107409
065244	106208 106209 107114 107117 107729 107730
065335	108555 108974 109038
801351	106203 107104 107177 107263 107268
801352	106196 107109 107907 108001 109357
801353	106205 107106 107999
801354	106900 107110
801355	106207 107108 107144 107687 107688 107689 107997
801357	106903 106906 107120 107124
801358	109271 109272 109344 109345
801359	106199 106200 107119 107123

## Get Reliable, Consistent Braking Performance With A Name You Can Trust... the Bendix<sup>®</sup> ASA-5<sup>®</sup> Automatic Slack Adjuster.

Easier to use design, improved performance and easier to install and maintain. Discover how the Bendix<sup>®</sup> ASA-5<sup>®</sup> automatic slack adjuster can enhance your vehicle's air brake system. Talk to your Account Manager, call 1-866-610-9709 or visit [www.foundationbrakes.com](http://www.foundationbrakes.com) today.



Bendix Spicer  
Foundation Brake LLC  
A Bendix CVS and Dana Joint Venture

**Roadranger**  
The Roadranger<sup>®</sup> System features  
Bendix<sup>®</sup> brand foundation brakes.